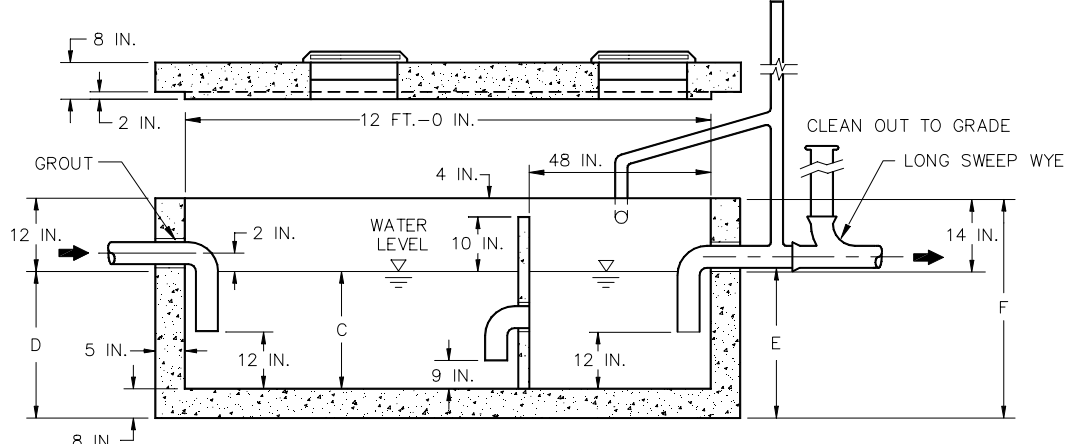


PLAN VIEW



CROSS SECTION

NOTES:

1. SECONDARY COMPARTMENT HAS VOLUME EQUAL TO 1/3 OF TOTAL CAPACITY.
2. ALL PIPE AND FITTINGS TO BE CAST IRON, MIN. 3 IN. DIA.
3. WALLS AND BOTTOM REINFORCED THROUGHOUT WITH 2 x 16 6/10 REMESH.
4. COVERS TO BE REINFORCED LONGITUDINALLY WITH NO. 6 REBAR ON 6 INCH CENTERS, NO. 4 REBAR ON 6 INCH CENTERS WIDTHWISE, AND NO. 8 REBAR DIAGONALLY AROUND ACCESS HOLES.
5. CLEAN OUT SHALL BE IRON BODY FERRULE WITH BRASS SCREW PLUG.
6. VENT PIPE SHALL BE CAST IRON TO A POINT 6 INCHES ABOVE THE GROUND LEVEL.
7. GREASE CAPACITY RATED FOR LARGE COMPARTMENT ONLY.
8. CHECK WITH SUPPLIER FOR EXACT DIMENSIONS.

WATER CAPACITY (APPROX) GALLONS	GREASE CAPACITY (APPROX) CU. FT.	DIMENSIONS (INCHES)			
		C	D	E	F
1565	100	40	50	48	62
1800	121	46	56	54	68
2035	143	52	62	60	74
2505	186	64	74	72	86
2975	229	76	86	84	98
3210	250	82	92	90	104
3445	271	88	98	96	110

FIGURE21.DWG

**TOWN OF PONCHA SPRINGS, COLORADO**

**FIGURE 21  
TYPE B GREASE INTERCEPTOR**