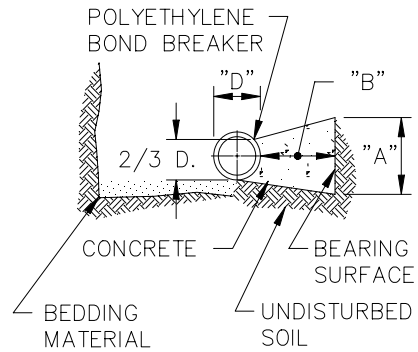
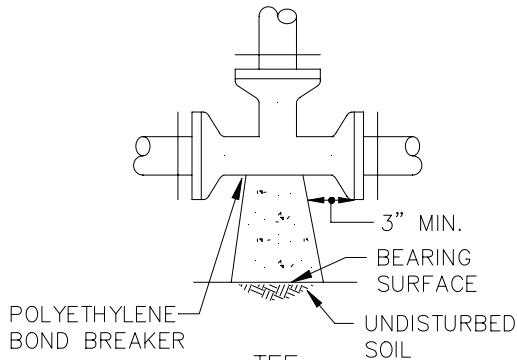


TYPICAL BEND



TYPICAL CROSS SECTION

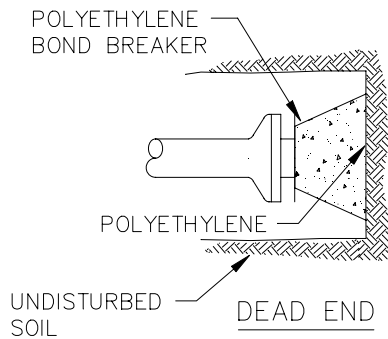


TEE

PIPE SIZE	BENDS				TEE OR DEAD END
	11 1/4°	22 1/2°	45°	90°	
6"	1.0	1.5	2.5	4.5	3.5
8"	1.5	2.5	4.5	8.0	5.5
12"	3.0	4.5	9.0	16.5	12.0

GENERAL NOTES:

1. Bearing surface areas shown in chart are minimum.
2. All fittings to be wrapped with polyethylene.
3. Pipe installed under conditions different from those normally encountered shall require thrust blocks designed for those particular conditions.
4. Thrust blocks on pipe larger than 12" shall be designed for conditions existing at the installation site.
5. Refer to Section 03300 for concrete requirements.



DEAD END

FIGURE2.DWG

TOWN OF PONCHA SPRINGS, COLORADO

FIGURE 2
THRUST BLOCK DETAIL